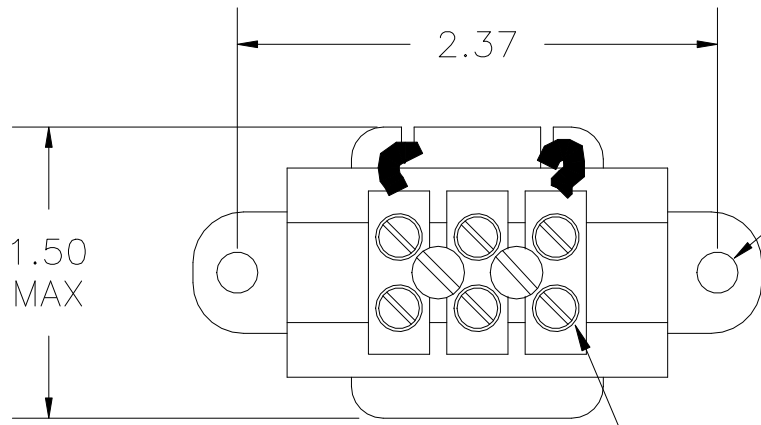


INDUCTANCE	LOSSES	WEIGHT
15 mH	4 Watts	1 Lbs

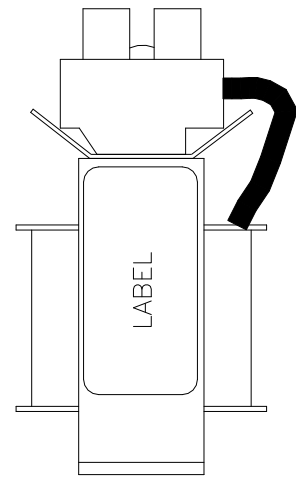
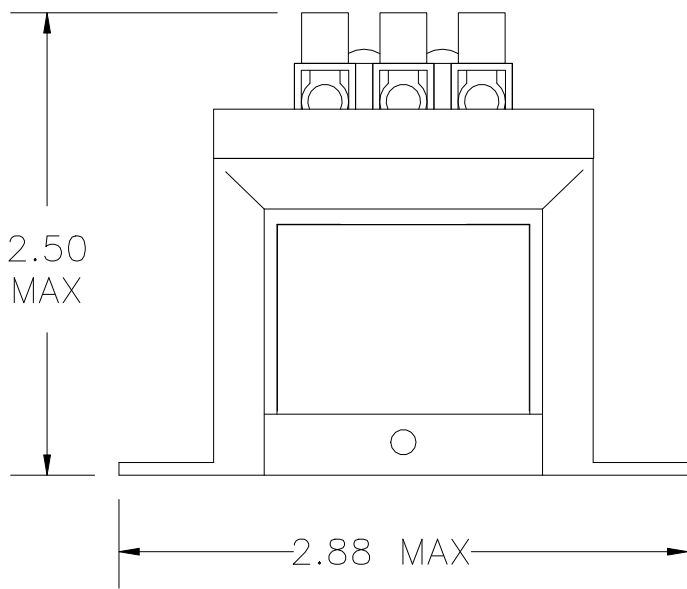
NO.	CHANGE DESCRIPTION	BY	DATE	C'K'D
05	REVISED PER ECR 7175, ADDED CD	RS	8/23/10	



0.187 DIA.
(2 HOLES)

WIRE RANGE: 22-14 AWG

CAUTION-TERMINAL SCREW TIGHTENING
TORQUE: 4.50 in-lb MAX.



UNLESS OTHERWISE SPECIFIED, DIMENSIONS ARE IN INCHES [mm] AND TOLERANCES ARE:

DECI. FRAC.

ANGLES DRILLED HOLES ± 0.010

PART NAME:	DC LINK CHOKE
DESCRIPTION:	OUTLINE DIMENSION
FINISH:	

MTE CORPORATION MENOMONEE FALLS, WISCONSIN			
CD 2RB002			REV. 05
SCALE	NTS	DATE 10/10/94	C'K'D
REF.	DR. BY	SJW	APP'D

FILE: